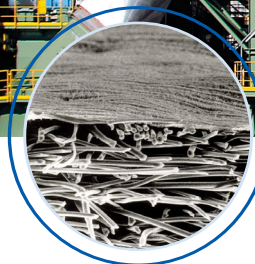


Filter Panels for Dust Collectors

497 - 1065 mm MULTITEX



Filter medium with ePTFE membrane

APPLICATIONS

- Powder coating
- Separation of enamel powder
- Foundries
- Synthetics industry
- Chemical industry
- Food industry
- Sand blasting plants

ADVANTAGES

- Low pressure drop
- Filter media customised to application
- Excellent cleaning ability
- Filter media with coating or membrane



Filter Panels for Dust Collectors

497 - 1065 mm MULTITEX

FILTER MEDIA

Customised to application: Non wovens or needle felts made of polyester and other nonstandard media

POSSIBLE EQUIPMENTS

- Antistatic
- Oil and water repellent
- Microporous finish
- ePTFE membrane

Certified in accordance with DIN EN 60335-2-69 appendix AA, Suitable for the filtration of health hazardous dusts

FEATURES

- Maximum operating temperature 80 °C
- Metal parts galvanized steel
- Cleanable by compressed air

SPECIAL TYPES

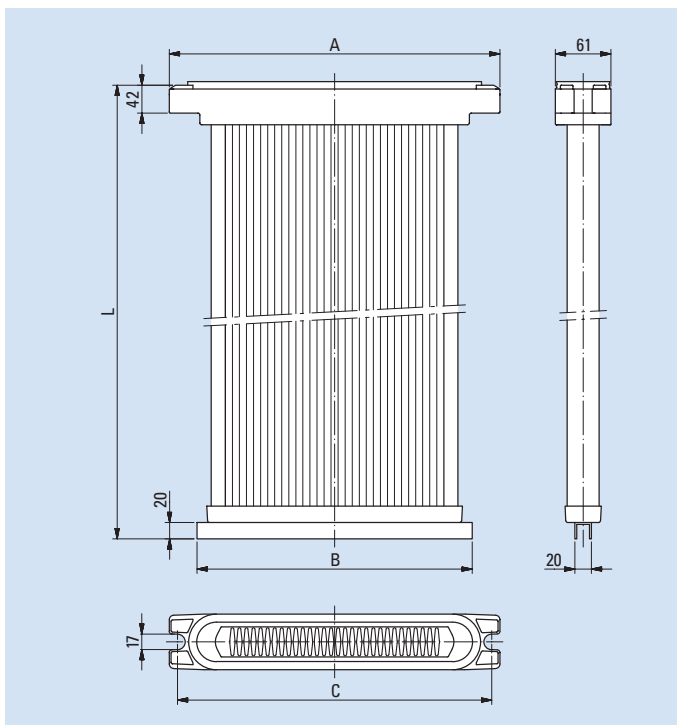
- Temperature resistant up to 120 °C
- Suitable for ATEX applications of all zones
- Certified for use in food production in accordance with EC and US FDA regulations
- Metal parts stainless steel
- Other individual solutions

ACCESSORIES

- Solenoid valves
- Valve control systems

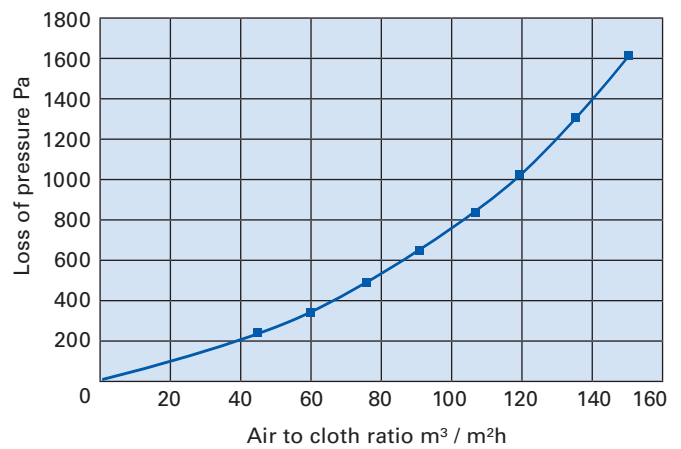
497 - 1065 mm

Raw gas side installation



FILTER RESISTANCE CHARACTERISTIC GRAPH

Pressure loss of the filter panels as a function of air to cloth ratio



$p = 4 \text{ bar}$, Cycle time = 200 s,
Pulse time = 50 ms, $k_{Raw} = 5 \text{ g / m}^3$

A [mm]	A [mm]	B [mm]	C [mm]	Length L [mm]	Filter area [m²]
497	517	434	480	950	2,4
497	517	434	480	1260	3,2
497	517	434	480	1555	4,1
610	630	560	592	950	3,2
610	630	560	592	1260	4,4
610	630	560	592	1555	5,5
717	737	675	700	950	4,0
717	737	675	700	1260	5,4
717	737	675	700	1555	6,7
1045	1065	1050	1030	950	5,8
1045	1065	1050	1030	1260	7,4
1045	1065	1050	1030	1555	9,4



We advise at the selection of the filter element, the best matching materials for the application as well as the design of dust collectors.

Technical changes reserved 05/24

R + B Filter Mfg. Ent. Pvt. Ltd.

E 16 / 17 / 18, G.I.D.C. Savli, Vill. Manjusar
Vadodara 391 775 · India

T +91 (0) 26 67 26 40 30 · M +91 (0) 97 12 90 56 30 · info@rbfilter.com · www.rb-filter.com

